

Three-way solid rubber connector

SCHUKO

1173543







General information

Item number	1173543
Model	Three-way solid rubber connector
Colour	red/black

Electrical parameters

Amperage	16A
Voltage	250V
Poles	2P + PE

Standards/Directives

According to	DIN VDE 0620
Standard	SCHUKO
Certification marks	   

Operating conditions

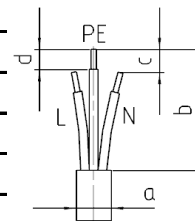
Storage temperature	-25°C to +70°C
Operating temperature	-25°C to +40°C
Relative humidity	5 to 95%, no condensation
Degree of protection	IP54

Materials

Contact Carrier	Rubber
Housing	Rubber/TPE

Connecting cable

Cross section	3x1,0mm ² -3x2,5mm ²
Cable diameter, dimension a	6-12mm
Insulation strip length sheath, dimension b	50-60mm
Trim L/N, dimension c	0mm
Insulation strip length cores, dimension d	8-10mm



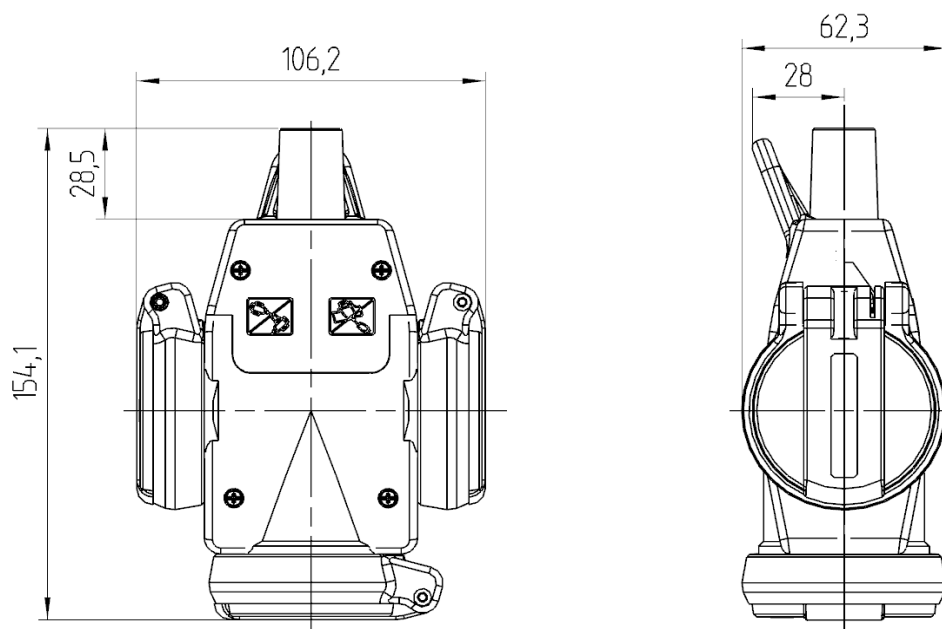
Connection screws

Max. torque for screws L-N/PE	0,8Nm
Screw drive L-N/PE	Combined slot/PZ2
Max. torque for screws housing	0,5 Nm
Screw drive housing	Combined slot/PZ1
Max. torque for screws strain relief	0,5 Nm
Screw drive strain relief	Combined slot/PZ1

Additional technical information

Turn strain relief clamp	for wire diameter less than 8,5mm
Voltage indicator	With voltage indicator

Subject to modifications



If the application requires extended specifications, we recommend to test the application under real or simulated conditions. Parameters like duration, quantity and temperature will effect the result significantly