

Elamid 2K socket plug

SCHUKO

1561050






General information

Item number	1561050
Model	Elamid 2K socket plug
Colour	blue

Electrical parameters

Amperage	16A
Voltage	250V
Poles	2P + PE

Standards/Directives

According to	DIN VDE 0620
Standard	SCHUKO
Certification marks	  

Operating conditions

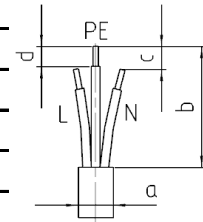
Storage temperature	-40°C to +80°C
Operating temperature	-30°C to +40°C
Relative humidity	5 to 95%, no condensation
Degree of protection	IP54
Resistance	UV-resistant Highly resistant to most oils, greases, solvents and detergents, hydrocarbons and organic and inorganic bases in usual concentrations

Materials

Contact Carrier	PA
Housing	PA

Connecting cable

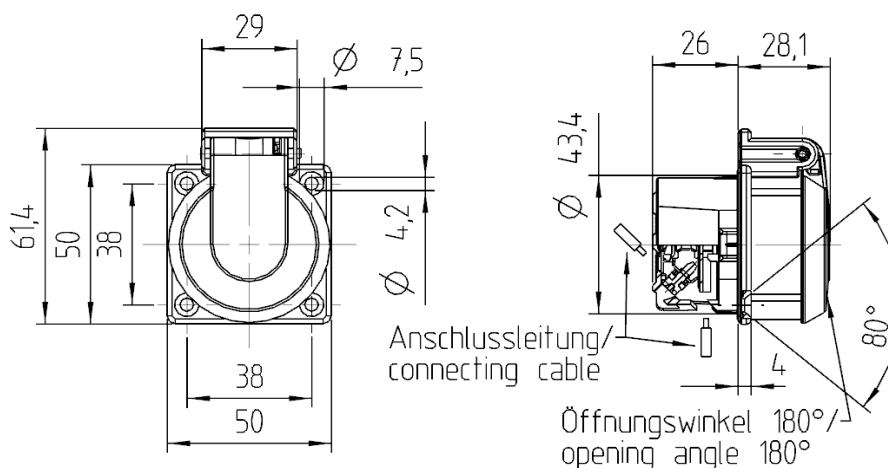
Cross section	3x1,5mm ² -3x2,5mm ²
Cable diameter, dimension a	arbitrary
Insulation strip length sheath, dimension b	min. 20mm
Trim L/N, dimension c	0mm
Insulation strip length cores, dimension d	8-10mm



Connection screws

Max. torque for screws L-N/PE	0,5 Nm
Screw drive L-N/PE	Combined slot/PZ1

Subject to modifications



If the application requires extended specifications, we recommend to test the application under real or simulated conditions. Parameters like duration, quantity and temperature will effect the result significantly