

# Thermoplastic socket outlet

## French/Belgian standard

1662052






### General information

Item number	1662052
Model	Thermoplastic socket outlet
Colour	blue
Shutter	With shutter

### Electrical parameters

Amperage	16A
Voltage	250V
Poles	2P + PE

### Standards/Directives

According to	NF C61-314 / NBN C61-112
Standard	French/Belgian standard
Certification marks	  

### Operating conditions

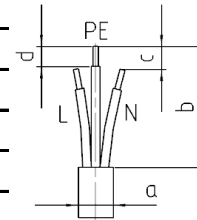
Storage temperature	-25°C to +70°C
Operating temperature	-25°C to +40°C
Relative humidity	5 to 95%, no condensation
Degree of protection	IP54
Resistance	UV-resistant Highly resistant to most oils, greases, solvents and detergents, hydrocarbons and organic and inorganic bases in usual concentrations

### Materials

Contact Carrier	PA
Housing	PA

### Connecting cable

Cross section	3x1,0mm <sup>2</sup> -3x2,5mm <sup>2</sup>
Cable diameter, dimension a	arbitrary
Insulation strip length sheath, dimension b	min. 20mm
Trim L/N, dimension c	0mm
Insulation strip length cores, dimension d	8-10mm



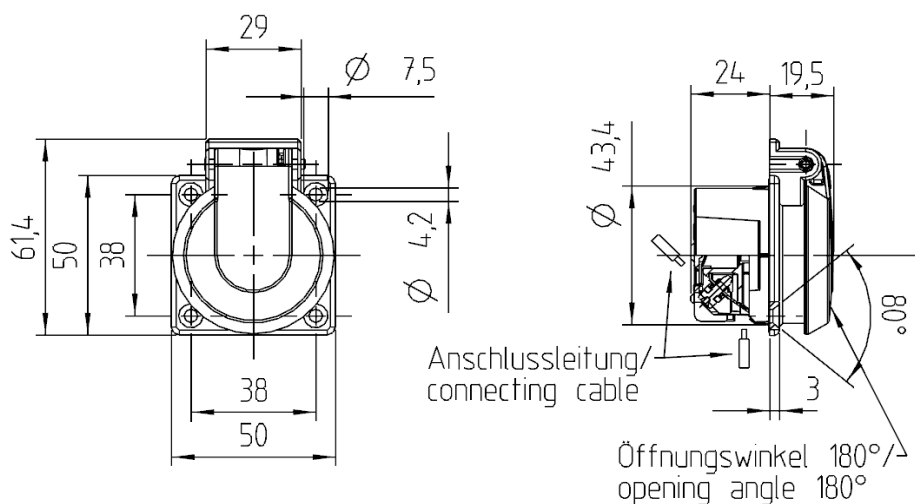
### Connection screws

Max. torque for screws L-N/PE	0,5 Nm
Screw drive L-N/PE	Combined slot/PZ1

### Additional technical information

Note	Degree of protection: Connected IP20
------	--------------------------------------

Subject to modifications



If the application requires extended specifications, we recommend to test the application under real or simulated conditions. Parameters like duration, quantity and temperature will effect the result significantly